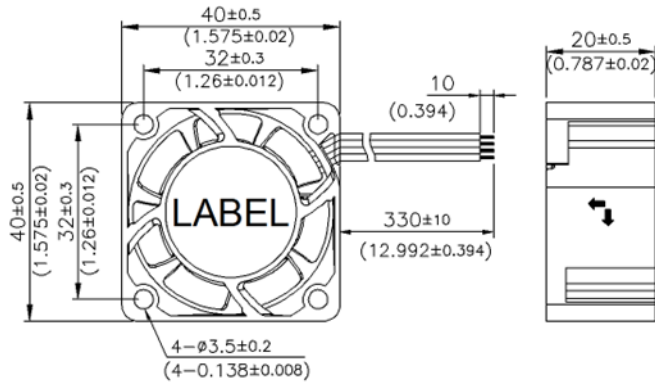


iCar Low Noise Fan 40*40*20 MM

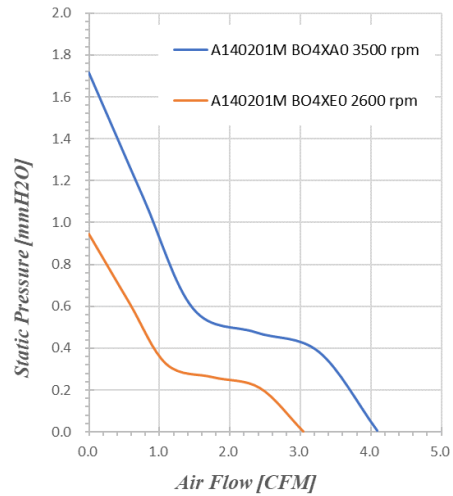
High Operating Temp. AECQ Series

DIMENSION DRAWING



UNIT: $\frac{\text{mm}}{\text{(INCH)}}$

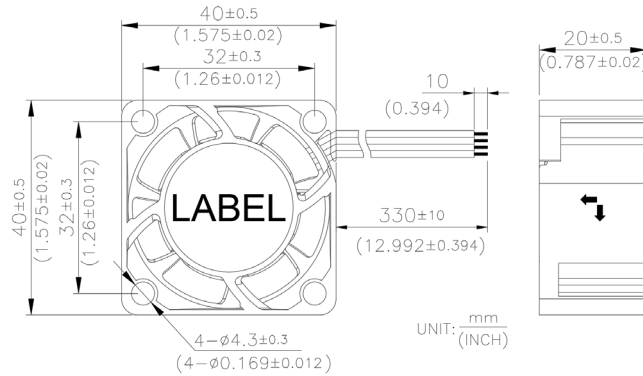
Housing : Plastic (UL 94V-0)
 Impeller : Plastic (UL 94V-0)
 Bearing : Ball bearing
 Operating temp : -40 ~ 95°C/ 105°C
 Mass : 38.1g



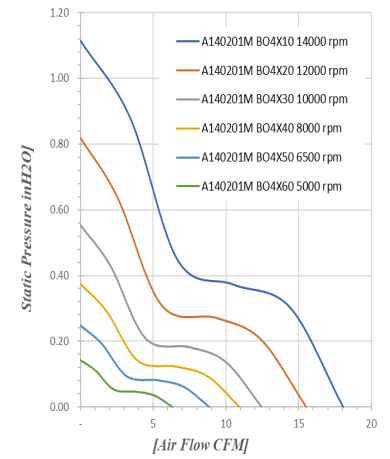
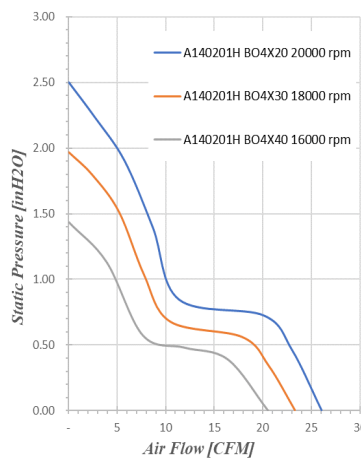
Product Type	Model No.		Control Type	Bearing Type	Rated Voltage	Operating Voltage Range	Operating Temp.	Speed	Input Current	Input Power	Maximum Air Flow		Maximum Air Pressure		Noise @100cm
					VDC	VDC	°C	R.P.M	Amp	Watt	CFM	m ³ /min	inH2O	mmH2O	
4020 12V Low Noise 95°C Series	A140201M	BO4XA0	+/-FG/PWM	BALL	12	8~16	-40~95	3500	0.018	0.22	4.09	0.12	0.07	1.71	21.5
	A140201M	BO4XE0	+/-FG/PWM	BALL	12	8~16	-40~95	2600	0.010	0.12	3.04	0.09	0.04	0.95	19.2
4020 12V Low Noise 95°C AECQ Series	A140201M	BO4TA0	+/-FG/PWM	BALL	12	8~16	-40~95	3500	0.018	0.22	4.09	0.12	0.07	1.71	21.5
	A140201M	BO4TE0	+/-FG/PWM	BALL	12	8~16	-40~95	2600	0.010	0.12	3.04	0.09	0.04	0.95	19.2
4020 12V Low Noise 105°C Series	A140201M	BO4YA0	+/-FG/PWM	BALL	12	8~16	-40~105	3500	0.018	0.22	4.09	0.12	0.07	1.71	21.5
	A140201M	BO4YE0	+/-FG/PWM	BALL	12	8~16	-40~105	2600	0.010	0.12	3.04	0.09	0.04	0.95	19.2
4020 12V Low Noise 105°C AECQ Series	A140201M	BO4UA0	+/-FG/PWM	BALL	12	8~16	-40~105	3500	0.018	0.22	4.09	0.12	0.07	1.71	21.5
	A140201M	BO4UE0	+/-FG/PWM	BALL	12	8~16	-40~105	2600	0.010	0.12	3.04	0.09	0.04	0.95	19.2

iCar Fan 40*40*20 MM High Operating Temp. Series

DIMENSION DRAWING



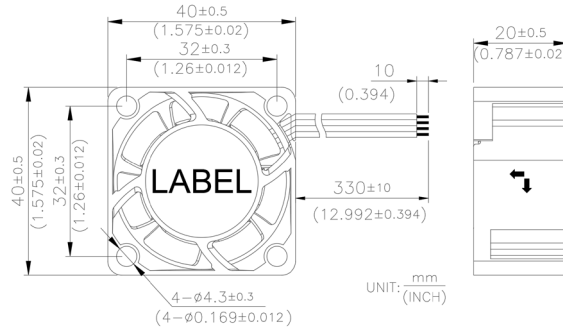
Housing : Plastic (UL 94V-0)
 Impeller : Plastic (UL 94V-0)
 Bearing : Ball bearing
 Operating temp : -40 ~ 95°C/ 105°C
 Mass : 38.1g



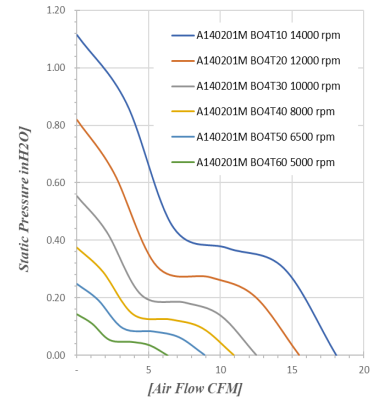
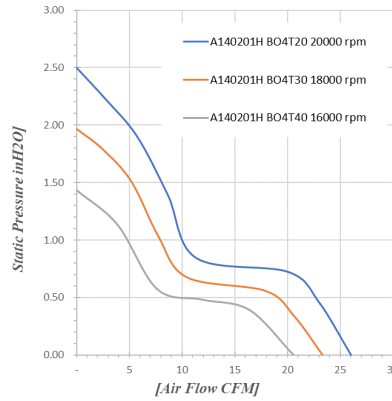
Product Type	Model No.		Control Type	Bearing Type	Rated Voltage	Operating Voltage Range	Operating Temp.	Speed	Input Current	Input Power	Maximum Air Flow		Maximum Air Pressure		Noise @100cm
					VDC	VDC	°C	R.P.M	Amp	Watt	CFM	m ³ /min	inH2O	mmH2O	
4020 12V 95°C Series	A140201H	BO4X20	+/-FG/PWM	Ball	12	6~13.8	-40~95	20000	0.810	9.72	26.03	0.74	2.50	63.52	56.4
	A140201H	BO4X30	+/-FG/PWM	Ball	12	6~13.8	-40~95	18000	0.620	7.44	23.32	0.66	1.97	49.99	54.2
	A140201H	BO4X40	+/-FG/PWM	Ball	12	6~13.8	-40~95	16000	0.460	5.52	20.59	0.58	1.43	36.42	52.4
	A140201M	BO4X10	+/-FG/PWM	Ball	12	6~13.8	-40~95	14000	0.280	3.36	18.07	0.51	1.11	28.30	49.0
	A140201M	BO4X20	+/-FG/PWM	Ball	12	6~13.8	-40~95	12000	0.195	2.34	15.49	0.44	0.82	20.79	45.7
	A140201M	BO4X30	+/-FG/PWM	Ball	12	6~13.8	-40~95	10000	0.140	1.68	12.49	0.35	0.55	14.04	39.7
	A140201M	BO4X40	+/-FG/PWM	Ball	12	6~13.8	-40~95	8000	0.075	0.90	10.93	0.31	0.38	9.53	33.4
	A140201M	BO4X50	+/-FG/PWM	Ball	12	6~13.8	-40~95	6500	0.052	0.62	8.88	0.25	0.25	6.29	27.8
4020 12V 105°C Series	A140201H	BO4Y20	+/-FG/PWM	Ball	12	6~13.8	-40~105	20000	0.810	9.72	26.03	0.74	2.50	63.52	56.4
	A140201H	BO4Y30	+/-FG/PWM	Ball	12	6~13.8	-40~105	18000	0.620	7.44	23.32	0.66	1.97	49.99	54.2
	A140201H	BO4Y40	+/-FG/PWM	Ball	12	6~13.8	-40~105	16000	0.460	5.52	20.59	0.58	1.43	36.42	52.4
	A140201M	BO4Y10	+/-FG/PWM	Ball	12	6~13.8	-40~105	14000	0.280	3.36	18.07	0.51	1.11	28.30	49.0
	A140201M	BO4Y20	+/-FG/PWM	Ball	12	6~13.8	-40~105	12000	0.195	2.34	15.49	0.44	0.82	20.79	45.7
	A140201M	BO4Y30	+/-FG/PWM	Ball	12	6~13.8	-40~105	10000	0.140	1.68	12.49	0.35	0.55	14.04	39.7
	A140201M	BO4Y40	+/-FG/PWM	Ball	12	6~13.8	-40~105	8000	0.075	0.90	10.93	0.31	0.38	9.53	33.4
	A140201M	BO4Y50	+/-FG/PWM	Ball	12	6~13.8	-40~105	6500	0.052	0.62	8.88	0.25	0.25	6.29	27.8
A140201M	BO4Y60	+/-FG/PWM	Ball	12	6~13.8	-40~105	5000	0.030	0.36	6.83	0.19	0.15	3.72	23.7	

iCar Fan 40*40*20 MM AECQ Series

DIMENSION DRAWING



Housing : Plastic (UL 94V-0)
Impeller : Plastic (UL 94V-0)
Bearing : Ball bearing
Operating temp : -40 ~ 95°C/ 105°C
Mass : 38.1g



Product Type	Model No.		Control Type	Bearing Type	Rated Voltage	Operating Voltage Range	Operating Temp.	Speed	Input Current	Input Power	Maximum Air Flow		Maximum Air Pressure		Noise @100cm
					VDC	VDC	°C	R.P.M	Amp	Watt	CFM	m ³ /min	inH2O	mmH2O	dB(A)
4020 12V 95°C AECQ Series	A140201H	BO4T20	+/-/FG/PWM	Ball	12	8~16	-40~95	20000	0.810	9.72	26.03	0.74	2.50	63.52	56.4
	A140201H	BO4T30	+/-/FG/PWM	Ball	12	8~16	-40~95	18000	0.620	7.44	23.32	0.66	1.97	49.99	54.2
	A140201H	BO4T40	+/-/FG/PWM	Ball	12	8~16	-40~95	16000	0.460	5.52	20.59	0.58	1.43	36.42	52.4
	A140201M	BO4T10	+/-/FG/PWM	Ball	12	8~16	-40~95	14000	0.280	3.36	18.07	0.51	1.11	28.30	49.0
	A140201M	BO4T20	+/-/FG/PWM	Ball	12	8~16	-40~95	12000	0.195	2.34	15.49	0.44	0.82	20.79	45.7
	A140201M	BO4T30	+/-/FG/PWM	Ball	12	8~16	-40~95	10000	0.140	1.68	12.49	0.35	0.55	14.04	39.7
	A140201M	BO4T40	+/-/FG/PWM	Ball	12	8~16	-40~95	8000	0.075	0.90	10.93	0.31	0.38	9.53	33.4
	A140201M	BO4T50	+/-/FG/PWM	Ball	12	8~16	-40~95	6500	0.052	0.62	8.88	0.25	0.25	6.29	27.8
	A140201M	BO4T60	+/-/FG/PWM	Ball	12	8~16	-40~95	5000	0.030	0.36	6.83	0.19	0.15	3.72	23.7
4020 12V 105°C AECQ Series	A140201H	BO4U20	+/-/FG/PWM	Ball	12	8~16	-40~105	20000	0.810	9.72	26.03	0.74	2.50	63.52	56.4
	A140201H	BO4U30	+/-/FG/PWM	Ball	12	8~16	-40~105	18000	0.620	7.44	23.32	0.66	1.97	49.99	54.2
	A140201H	BO4U40	+/-/FG/PWM	Ball	12	8~16	-40~105	16000	0.460	5.52	20.59	0.58	1.43	36.42	52.4
	A140201M	BO4U10	+/-/FG/PWM	Ball	12	8~16	-40~105	14000	0.280	3.36	18.07	0.51	1.11	28.30	49.0
	A140201M	BO4U20	+/-/FG/PWM	Ball	12	8~16	-40~105	12000	0.195	2.34	15.49	0.44	0.82	20.79	45.7
	A140201M	BO4U30	+/-/FG/PWM	Ball	12	8~16	-40~105	10000	0.140	1.68	12.49	0.35	0.55	14.04	39.7
	A140201M	BO4U40	+/-/FG/PWM	Ball	12	8~16	-40~105	8000	0.075	0.90	10.93	0.31	0.38	9.53	33.4
	A140201M	BO4U50	+/-/FG/PWM	Ball	12	8~16	-40~105	6500	0.052	0.62	8.88	0.25	0.25	6.29	27.8
	A140201M	BO4U60	+/-/FG/PWM	Ball	12	8~16	-40~105	5000	0.030	0.36	6.83	0.19	0.15	3.72	23.7